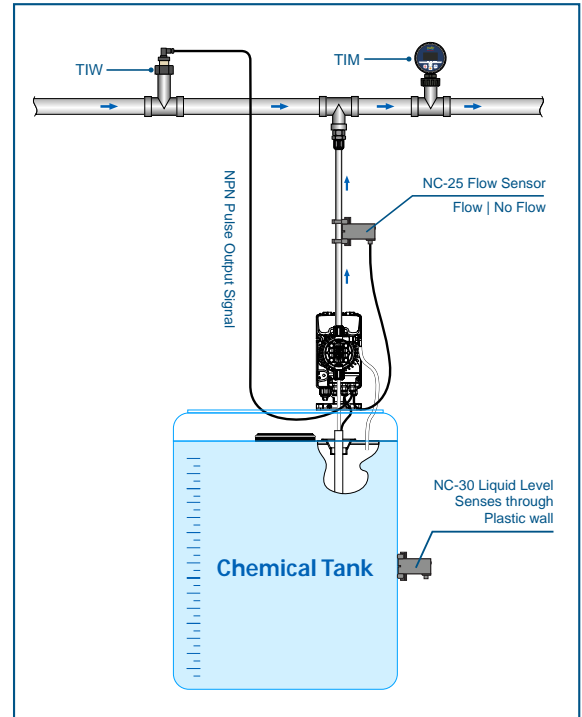


- ZIRCONIUM CERAMIC SHAFT | BEARINGS
- ALL PLASTIC CONSTRUCTION
- RETROFITS into SIGNET® TYPE FITTINGS



SERIES : TIW

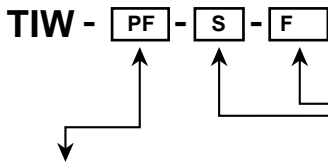


FEATURES

- Excellent Chemical Resistance
- Size Range ½ - 24"
- Easy To Install
- Quick Disconnect DIN Connection
- High Accuracy | $\pm 0.5\%$ of Full Scale
- Low Cost
- Flying Lead or Hirschmann DIN Connection
- Zirconium Ceramic Shaft & Bearings
- Double O-Ring Seal
- High Pressure Rating | Up to 200 psi
- Retrofits into Signet® Type Fitting

SPECIFICATIONS

Operating Voltage	5~30VDC
Current Consumption	10mA max.
Pulse Output	NPN & PNP
Fluid	Water Chemicals
Accuracy	$\pm 0.5\%$ of F.S. @ 25°C
Response frequency	5K Hz
Flow velocity	10 m s max.
Low Cut	0.3 m s min.
Material of Tube	Paddle Tefzel Paddle Shaft Zirconium Ceramic Sensor Body PVC PP PVDF
O-ring Material	FKM EPDM
Operating Temperature	PVC < 60°C PP < 80°C PF < 100°C
Protection Class	IP-65
Approval	CE RoHS

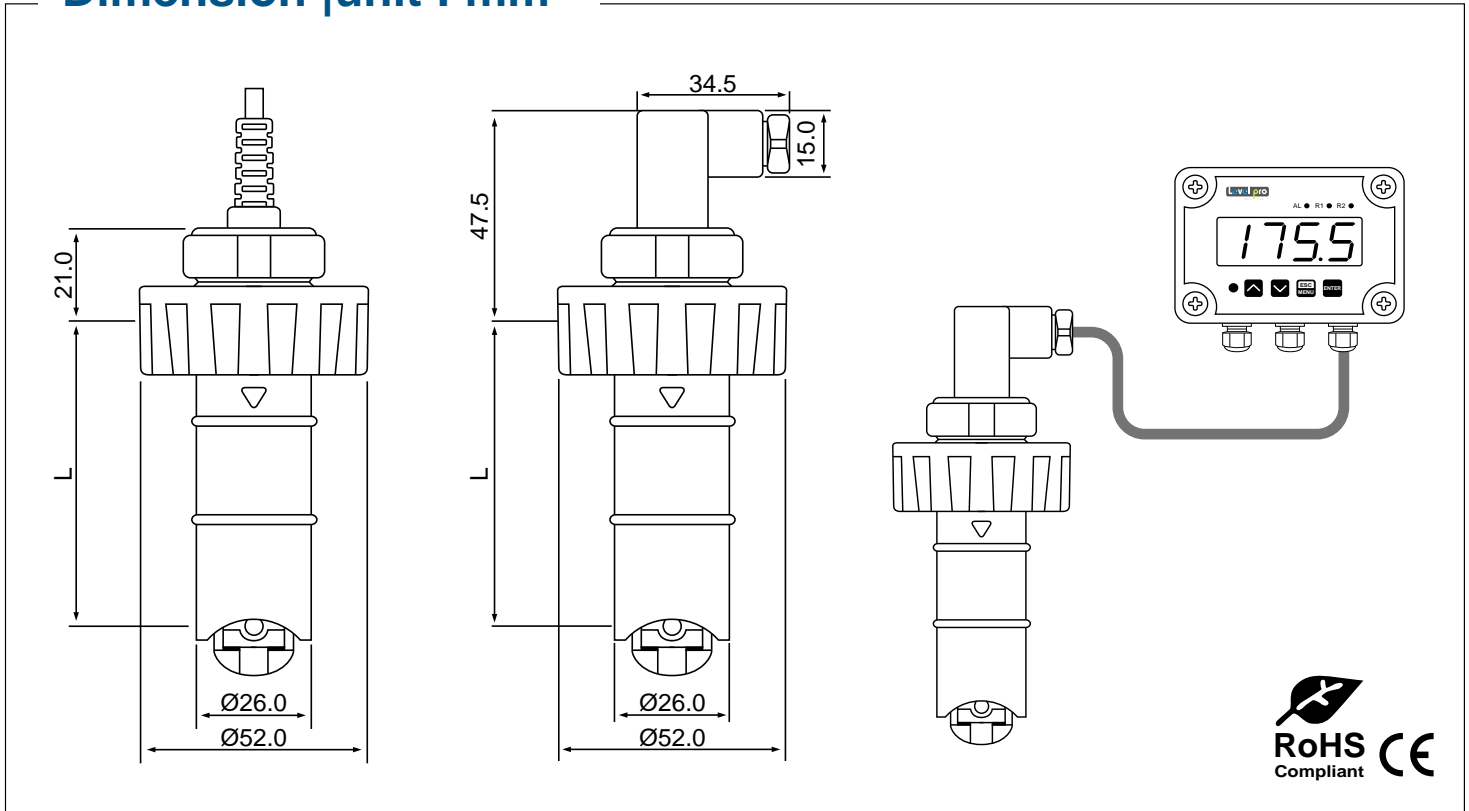


Body Material	Length	Wire Connection
PV = PVC PP = PP PF = PVDF	S = (1"~ 4") Pipe L = (6"~ 24") Pipe	F = Lead wire 3m DIN 43650A Micro(STD)

*Suffix 'E' for EPDM

*FKM Standard

Dimension [unit : mm]



Wiring Diagram

